

*****Confidential***** This drawing and relevant information must not be used in any way contrary to the interests of Cascade Designs, Inc., 4000 1st Ave. South, Seattle WA 98134

Symbol

Notes

ECO # 13256

--

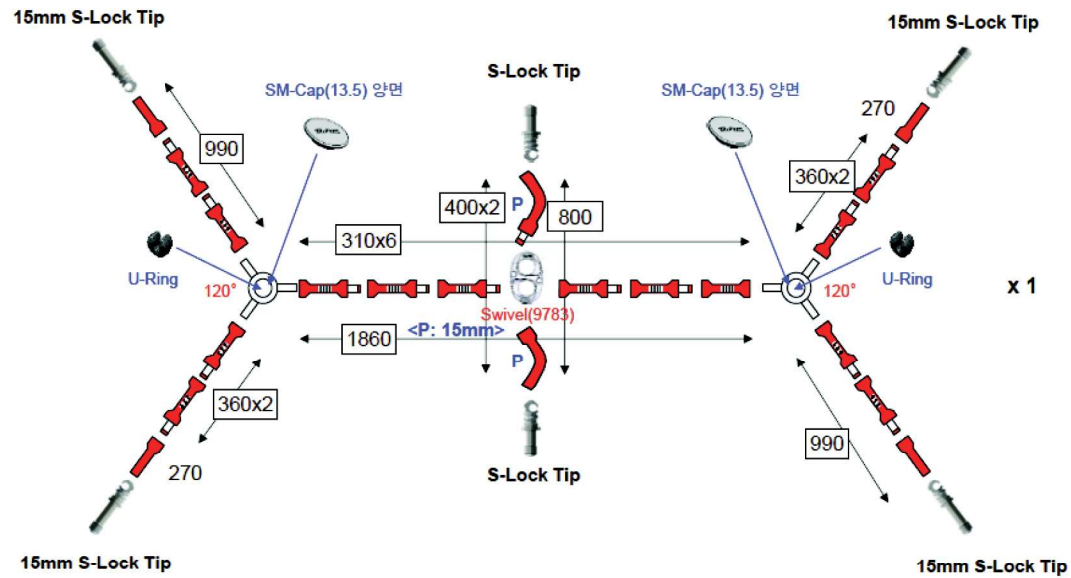
INITIAL RELEASE

Design:
Drawn:
Checked:

POLES - 1 PERSON

Model	Hubba Hubba 1P	Color	미정	Total Length : 6,620mm
SPECIFICATION (UNIT mm)				
Cross	NFL8.7mm 800(400x2<P>)x1 / S-Lock Tip, Swivel (9783)			<P: 15mm>
Leg	NFL8.7mm 1980(270+360x4+270) x 2 / 15mm S-Lock Tip, SF-Mold, SM-Cap(13.5)			
Ridge	NFL8.7mm 1860(310x6) x 1 / U-Ring			
Mold	SF#0261(C) x 2pcs			D-0472
Mold Insert	NFL8.7용 insert x 6 pcs			D-0304

NFL8.7mm



Product Name Hubba Hubba LT	
Part # See Drawing	Drawing # 13936
Drawn <i>JN</i> 3/25/24	Cascade Designs Inc.
Design <i>JN</i> 3/25/24	
Checked <i>KDT</i> 3/25/24	
Page 9 of 12	REV. --